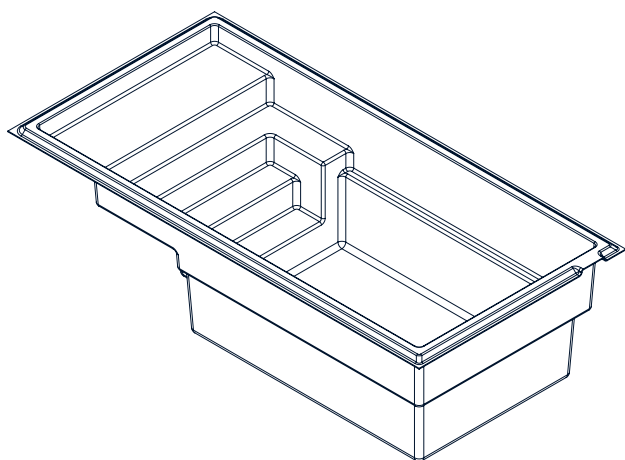
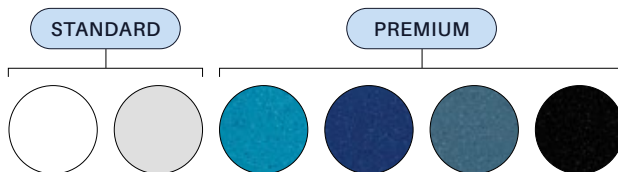


# OPAL



## 8' x 16'

### Available colors



### OPAL MODEL

<b>DIMENSIONS</b>	8' x 16'
<b>DEPTH</b>	4' 10"
<b>WEIGHT EMPTY POOL</b>	1 028 lbs · 466 kg
<b>INTERIOR VOLUME</b>	348.77 ft <sup>3</sup> · 9.88 m <sup>3</sup>
<b>WATER VOLUME</b>	9 876 L · 2 609 gal

### INCLUDED:

SKIMMER | RETURN | DRAIN

